

Swimming pool equipment

Vacuum hose connection Classic

Made of bronze, front with acid proof stainless steel. If the pool is equipped with an overflow, a vacuum hose connection is used for the vacuum hose during cleaning of your pool.

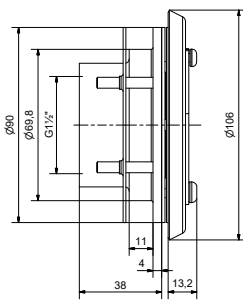
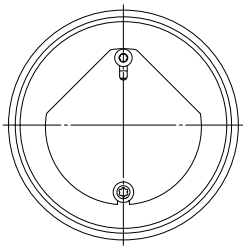


Item no. 125830

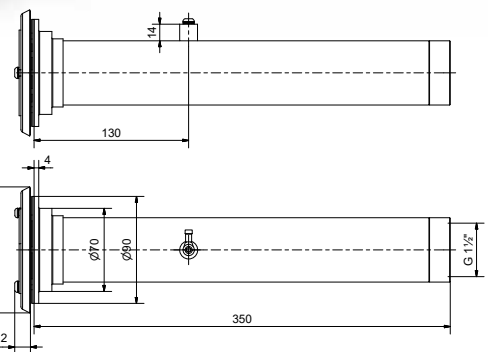
Item no.	Type	Description
125830	CAA	Acid proof stainless steel. For concrete and liner pools. Inside thread 1 1/2".
125835	CA	Classic 350. Acid proof stainless steel. For concrete and liner pools. Inside thread 1 1/2".

Features

- Polished front
- Acid proof stainless steel
- Suitable for all types of pools
- Suction nozzle with cover equipped with turning cover



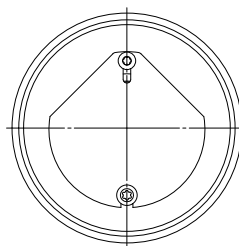
Item no. 125835



Accessories

Item no.

15530110	Fixing kit for nozzle fiberglass/PP pool
822600	Concrete kit waterproofing with membrane



Non leak flange

Non leak flange in acid proof stainless steel. For inlets and suction nozzles in concrete walls.

Accessories for concrete pools

Item no. Type

12670	NLF290	With sealing flange. Inside and outside thread 1 1/2". Length 290 mm.
12675	NLF600	As above but with length 600 mm.
12640	NLF255	With sealing flange. Inside thread 1 1/2". Length 255 mm.
126751	NLF600	With sealing flange. Inside and outside thread 2". Length 600 mm.
121952	NLF250	With sealing flange. Inside and outside thread 2". Length 250 mm.

