

# Swimming pool equipment



## Skimmer Classic

Water leaves the pool through the skimmer which increases the surface flow rate and moves surface debris into the skimmer. The debris are collected in a filter basket and the water flows on to the sand filter for particle cleaning.

Flow capacity max 12 m<sup>3</sup>/h.

### Features

- Polished front
- Acid proof stainless steel
- Vertically adjustable collar
- Flap weir made of stainless steel
- Polished, pattern-rolled cover
- Equipped with large, high-capacity filter basket
- Connection for water level control

Short		Standard		Extended		Skimmer liner pool
Item no.	Type	Item no.	Type	Item no.	Type	
112971	CA-K	112981	CA-S	112991	CA-L	Complete with screws and gasket.
112978	CA-KNR	112988	CA-SNR	112998	CA-LNR	Same as above but with openings for water filling, overflow and cable bushing for water level control.

### Fixture kit

#### Item no.

112900 Fixture kit, set of 4. Recommended for concrete pool with liner.

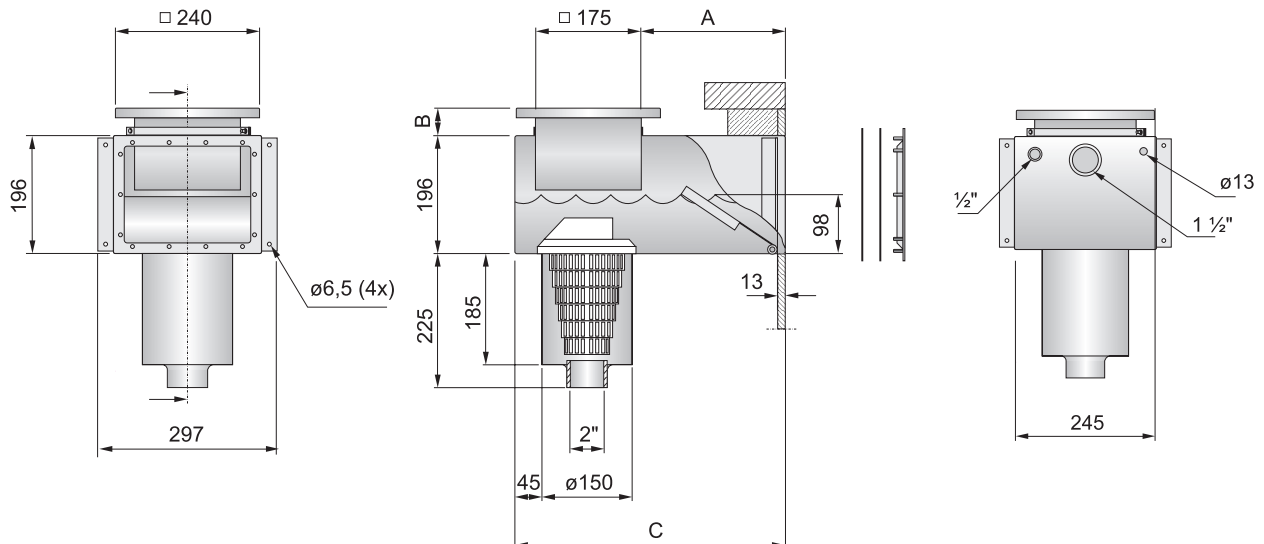
### Accessories for fiberglass/PP pool

#### Item no.

11266 Frame skimmer fiberglass/PP pool

### Dimensions

Item no.	A	B	C
112971	60	30-120	270
112978	60	30-120	270
112981	240	30-120	450
112988	240	30-120	450
112991	440	30-120	650
112998	440	30-120	650



# Swimming pool equipment



Concrete

## Skimmer

Water leaves the pool via a skimmer, which makes the flow rate at the surface increase and moves particles on the water surface into the skimmer. For embedment in concrete pools with tile or mosaic.

These particles are collected in a filter basket. Made of acid proof stainless steel.

Flow capacity max 12 m<sup>3</sup>/h.

## Features

- Acid proof stainless steel
- Vertically adjustable collar
- Flap weir made of stainless steel
- Polished, pattern-rolled cover
- Equipped with large, high-capacity filter basket
- Connection for water level control

Short		Standard		Extended		
Item no.	Type	Item no.	Type	Item no.	Type	
112972	A-K	112982	A-S	112992	A-L	Flange for embedment in concrete wall.
112979	A-KNR	112989	A-SNR	112999	A-LNR	Same as above but with openings for water filling, overflow and cable bushing for water level control.

## Dimensions

Item no.	A	B	C
112972	60	30-120	270
112979	60	30-120	270
112982	240	30-120	450
112989	240	30-120	450
112992	440	30-120	650
112999	440	30-120	650

