

Pumps



Item no.11224

P85/P85FLO 5.5kW

Pool pumps of bronze run quiet and are stable. The pump impeller is also made of bronze and it is fitted to a shaft made of acid proof stainless steel. Pool pump P85 is available in two versions; with or without pre-filter.

Pumps without pre-filters for various purposes where the only requirement is distributing water. Suitable for i.e. spas, circulation, solar heating, fountains and waterfalls. The pool pump is equipped with a strainer basket which makes it easy to remove dirt such as leaves.

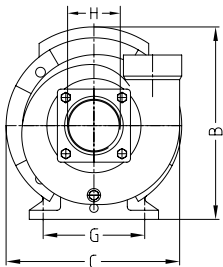


Item no.11524

Features

- Pump housing and pump impeller made of bronze
- Pump shaft made of acid proof stainless steel
- High-quality motors
- Pre-filter made of bronze with filter basket
- Equipped with drain plug
- Two different versions. With or without pre-filter
- Third-party tested and certified

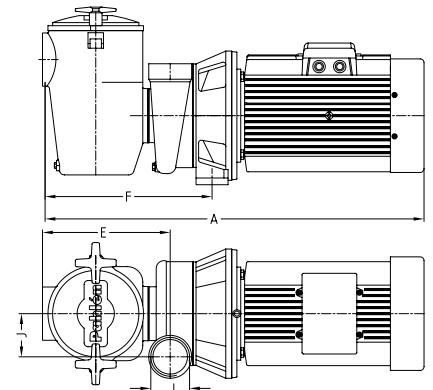
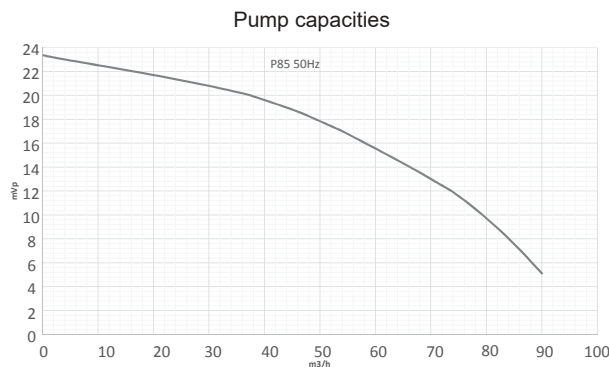
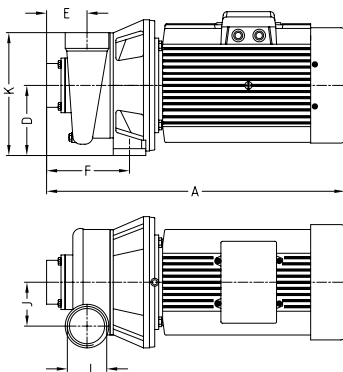
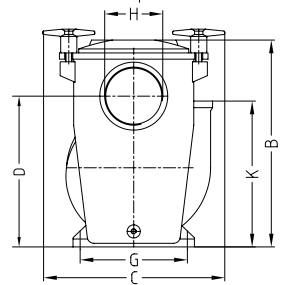
Without pre-filter



Technical data		Voltage/Ampere				
Item no.	Type	kW		400/3 ~	690/3 ~	kg
		50Hz				
11224	T550	5.5		10.2	5.9	59
11524	T550	5.5		10.2	5.9	50

Also available in 60 Hz version. Contact Pahlén AB for information.

With pre-filter



Dimensions

Item no.	Type	A	B	C	D	E	F	G	H	I	J	K
11224	T550 (with pre-filter)	815	330	275	250	240	315	140	3"	2½"	82	235
11524	T550 (without pre-filter)	640	275	275	137	77	155	140	2½"	2½"	82	235