

# Swimming pool equipment



## Inlet Marine

A round, compact and elegant inlet with a polished front. Depending on the size of the pool, you will need two or more inlets that effectively distributes the waterflow and returns cleaned and heated water to the pool. Made of bronze and acid proof stainless steel.

Recommended flow capacity max 6 m<sup>3</sup>/h.

### Item no. Type

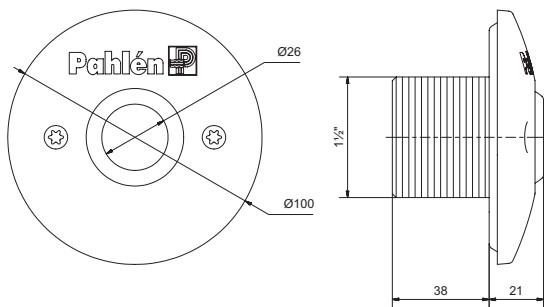
124500 CA For liner pools. With screws and rubber gasket.

124505 A For concrete pools. Acid proof stainless steel.

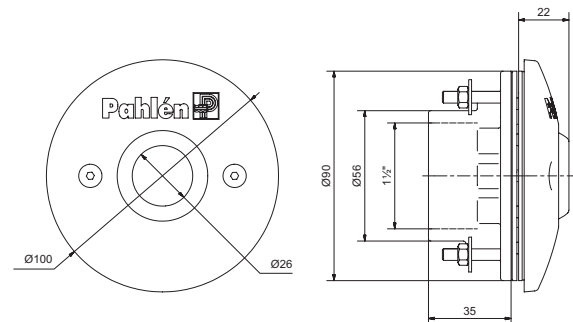
124720 Replacement kit for upgrading Classic inlet to Marine (liner)

## Features

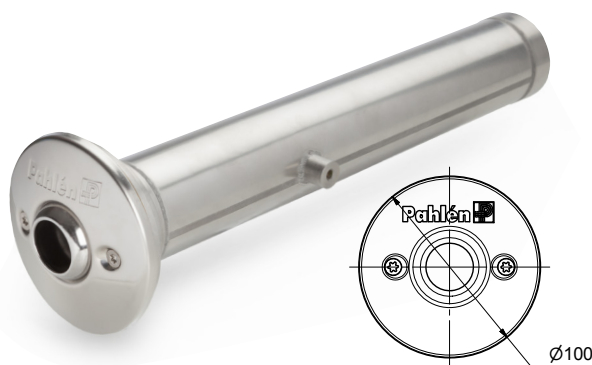
- Acid proof stainless steel and bronze
- Adjustable nozzle Ø 26 mm
- Suitable for all types of swimming pools



Item no. 124505



Item no. 124500



## Inlet Marine 350

Complete inlet with casting tube, including screws, flange and rubber gasket.

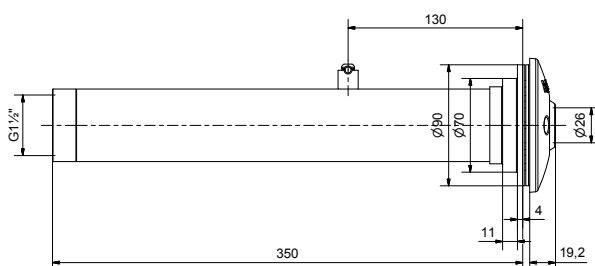
Recommended flow capacity max 6 m<sup>3</sup>/h.

### Item no. Type

124815 CA Marine, concrete/liner

## Features

- All stainless steel
- Internal thread 1 1/2"
- Adjustable jet nozzles Ø 26 mm.
- For concrete/insulating blocks, length 350 mm



## Accessories

### Art.nr. Typ

822600 Concrete kit, waterproofing with membrane