

# Swimming pool equipment



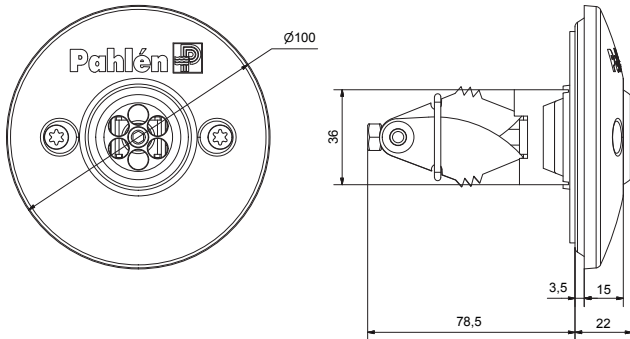
## Inlet anchoring bracket Marine

Wall inlets are designed for mounting onto the end of a molded PVC pipe, PN10/16 with an outer diameter  $\varnothing$  50 or  $\varnothing$  63. The nozzle is secured by barbs inside the pipe. The pools flow can be directed by turning the ball in the desired direction.

Recommended flow capacity max 10 m<sup>3</sup>/h.

### Features

- Anchoring bracket
- Adjustable nozzle mesh  $\varnothing$  7 mm
- For mounting in a concrete pool with casting pipes
- Acid-proof stainless steel
- PVC pipe PN10/16 with an outer diameter of  $\varnothing$  50 or  $\varnothing$  63 mm



### Item no. Type

126102	A	Marine inlet anchoring bracket
--------	---	--------------------------------



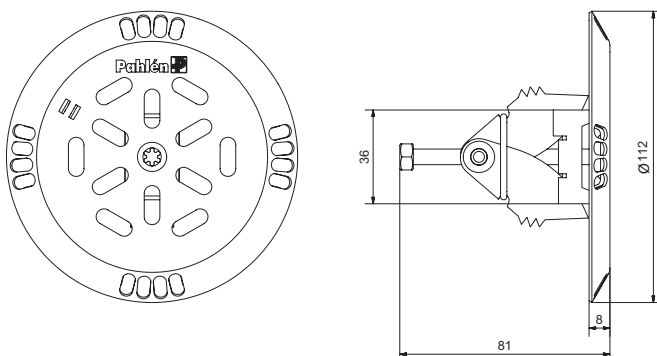
## Bottom inlet anchoring bracket

A bottom inlet designed for mounting onto the end of a molded PVC pipe, PN10/16 with an outer diameter  $\varnothing$  50 or  $\varnothing$  63. The nozzle is secured by barbs inside the pipe. The flow can be regulated in eight different positions on the front of the inlet.

Recommended flow capacity max 15 m<sup>3</sup>/h.

### Features

- Anchoring bracket
- Adjustable flow
- For mounting in a concrete pool with casting pipes
- Acid-proof stainless steel
- PVC pipe PN10/16 with an outer diameter of  $\varnothing$  50 or  $\varnothing$  63 mm



### Item no. Type

126110	A	With anchoring bracket
--------	---	------------------------