

# Water attractions



Jet Massage in Classic model

## Jet Massage

Jet Massage consists of a standalone inlet, outlet and start button that combines as desired and up to 6 nozzles. All nozzles are made of acid-proof stainless steel and is available in both Marine and Classic designs. The massage station can be controlled with a Pahlén circulation pump (e.g. FloVISE or P2000FLO) and Pahlén control box. Recommended flow capacity max 8-10 m<sup>3</sup>/h per nozzle.

### Features

- 2 nozzles soft and medium
- Combine as desired and up to 6 nozzles
- Both for private pools and public facilities
- Meets requirements of pool standard EN 16713
- Available in both Classic and Marine design
- Meets the requirements of pool standard EN13451, EN16582, EN16713

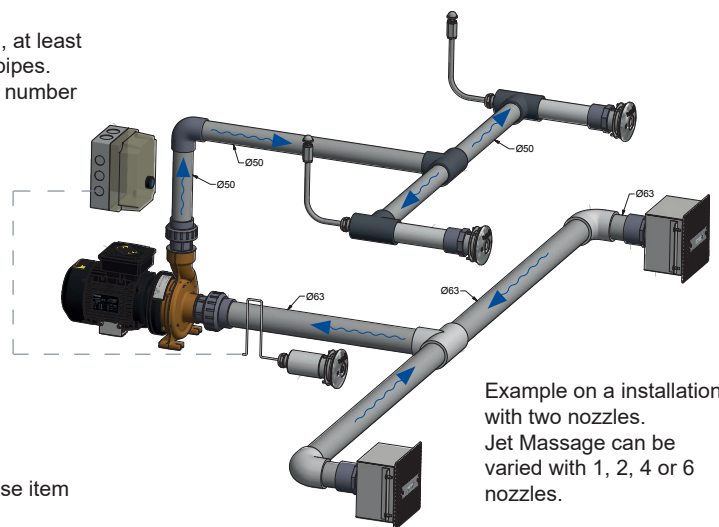
Item no.	Type	Wood/plastic/steel with liner		Concrete liner	Pipe connection
		Standard	350	350	
13005571	Start button Classic 350			x	
13005570	Massage Soft Classic 350			x	Ø50mm
13005572	Massage Medium Classic 350			x	Ø50mm
13005561	Start button Classic	x			
13005560	Massage Soft Classic	x			Ø50mm
13005562	Massage Medium Classic	x			Ø50mm
13005551	Start button Marine 350			x	
13005550	Massage Soft Marine 350			x	Ø50mm
13005552	Massage Medium Marine 350			x	Ø50mm
13005541	Start button Marine	x			
13005540	Massage Soft Marine	x			Ø50mm
13005542	Massage Medium Marine	x			Ø50mm

For options to fiberglass/PP-plastic contact Pahlén AB for more information.

### Massage station configurations

Complete Jet Massage consists of 1-6 massage nozzles, a start button, at least 2 outlets, a separate circulation pump, a control box, connections and pipes. The number of massage nozzles governs the size of the pump and the number of outlets.

Number of massage nozzles	Number of outlets	Pump
1	2	FloVISE 0,55 kW
2	2	FloVISE 1,1 kW
4	3	P2000 2,2 kW
6	4	P2000 4,0 kW



Example on a installation with two nozzles. Jet Massage can be varied with 1, 2, 4 or 6 nozzles.

### Jet massage-unit

When ordering Jet Massage units according to configurations above, use item no. as in example shown below.

Example of Item no:	A	B	C
Marine design = 36	350 = 2	Soft = 0	No. of nozzles
Classic design = 35	Standard = 0	Medium = 1	1, 2, 4, 6
36ABC	362BC	3620C	36204
35ABC	350BC	3501C	35012

### Accessories

Item no.	
636200	Massage nozzle Soft as option
636201	Massage nozzle Medium as option