

## Dosing pumps with reliable dosing

Dosing pumps for injecting liquide chlorine or pH-regulating agents. The pumps are microprocessor-controlled and magnetically operated for maximum dependability and dosing precision. The pumps offer a wide range of settings. The liquid end is manufactured from plexiglass and the suction and pressure details are of PVDF. These materials are chosen for their known resistance to the majority of chemicals used in water treatment. The pump can be controlled on/off or externally by pulses from a monitoring and controlling device, for example by using an Autodos with an external cable (optional).



### Beta/4B

Dosing pump Beta with plexiglass liquid end (NPE) excl. Beta/4B 0400 PPT. All pumps have on/off or frequency control and are supplied with injection and foot valves and 2 m of suction and 5 m of pressure hose.

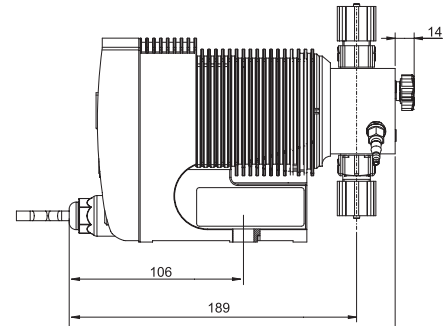
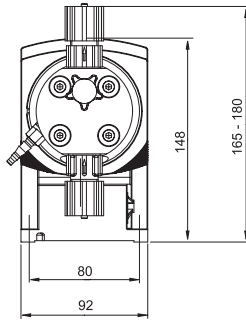
#### Technical data

Item no.	Type	Connection mm	Max capacity l/h	Max capacity ml/stroke	At max pressure bar
413330*	Beta/4B 0400	6 x 4	0.8	0.07	4
413331	Beta/4B 0402	12 x 6	2.9	0.27	4
413332	Beta/4B 0408	12 x 6	8.1	0.75	4
413333	Beta/4B 0220	12 x 9	19.0	1.76	2
413334	Beta/5B 0232	12 x 9	32.0	2.96	2

\* Beta/4B 0400 is a flocculation pump.

### Features

- High precision
- Magnetic dosing pump
- Adjustable capacity
- Multifunctional valve (option)
- Wear resistant operation
- External cable (option)



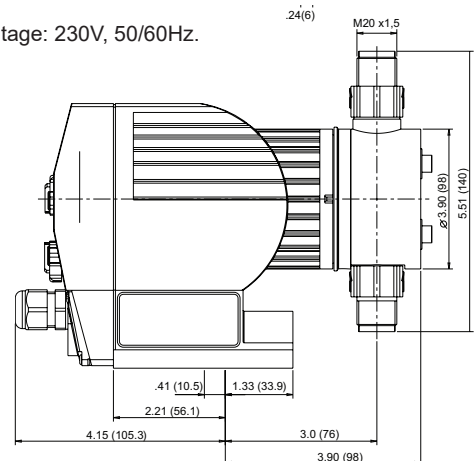
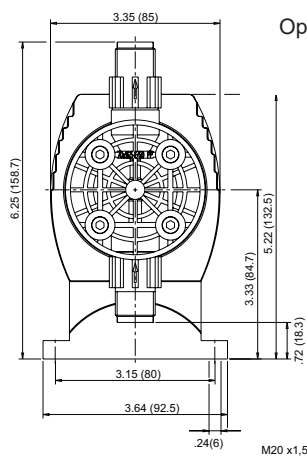
### Concept

Dosing pump with liquid end of PVDF. The pump has on/off or frequency control and is supplied with injection and foot valves and 2 m of suction of pressure hose and a 5 m external cable.

#### Technical data

Item no.	Type	Connection mm	Max capacity l/h	Max capacity ml/stroke	At max pressure bar
413340	Concept plus 1002	6 x 4	2.6	0.24	5

Operating voltage: 230V, 50/60Hz.



### Features

- High precision
- Chemical resistant material
- Realible
- Easy installation
- Small and compact
- Simple adjustment
- External cable included