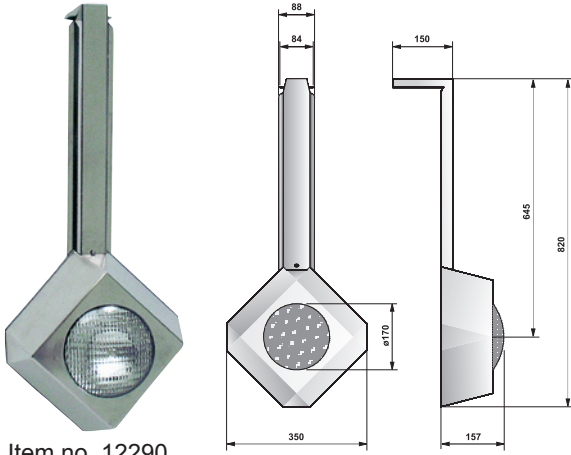


## WALL LIGHTING 300W



Item no. 12290



- **Polished front** - For optimum finish.
- **Made of AISI 316L acid-resistant stainless steel** - For optimum quality and life.
- **Bulbs PAR 56 300W, type Sealbeam, glass and reflector in one unit** - No loose parts, easy to replace.
- **Supplied as standard with a 2.5 m long 2-wire connecting cable** - The water level does not need to be lowered when replacing bulbs.
- **Can be fitted in either a new or existing pool made of concrete, liner or building-block walls** - Suits all types of pools.
- **Suitable for existing pools** - No holes are to be made in the pool.
- **Tested and certified by a Notified Body** - Important for product safety.

### Recommended lighting:

300W For outdoor pools - 1 light unit per 25 m<sup>2</sup>, indoor pools - 1 light unit per 15 m<sup>2</sup>.

### Wall light 303, 300W, 12V, IP68

#### Item no.

12290 Suspended light 300W, 12V, IP68 for mounting in the pool corner. Delivered with polished attachment for mounting under the pool coping or deck.

### Accessories

#### Cable conduit

##### Item no.

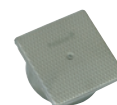
12330 Protects the cable between the junction box and the lamp unit, length 900 mm.  
12854 Jointing sleeve internal 3/4" PVC. For extension of cable conduit.



#### Junction box

##### Item no.

12310 Cable seal in the base, with attachment for cable conduit and connection block.



#### Safety transformer

##### Item no.

12340 Transformer 300W, 12/230V, IP54 with built-in fuse.

