

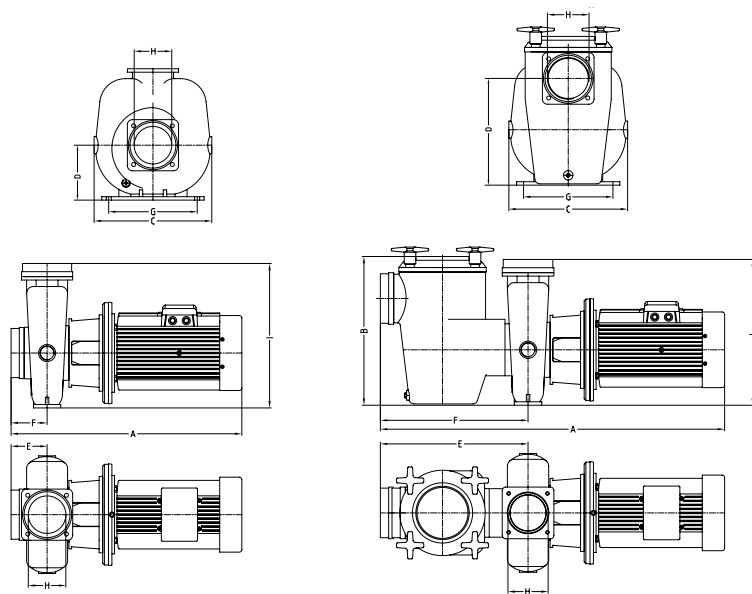
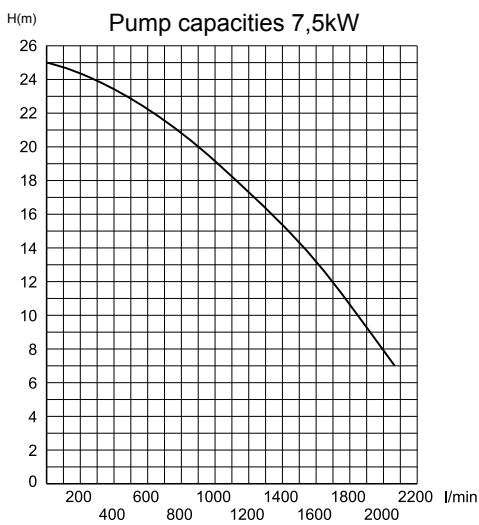
BRONZE PUMP



Technical data					Ampere
Item no.	kW	Hz	Phase	Voltage	400V
12225	7,5	50	3	400/690	14
12227	7,5	50	3	400/690	14



- **Pump housing and pump impeller made of bronze** - For optimum quality and life.
- **Pump shaft made of acid-resistant stainless steel** - For increased corrosion protection.
- **High-quality motors** - For cost-effective operation and long life.
- **Pre-filter made of bronze with filter basket of composite material** - Easy access for cleaning of the filter basket.
- **Equipped with drainage plug** - For easy draining of water, for instance at the end of the season.
- **Two versions, with and without pre-filter** - Suits all installations.
- **Tested and certified by a Notified Body** - Important for product safety.



Dimensions

Item no.	Type	A	B	C	D	E	F	G	H	I
11225	Filter pump	995	410	360	300	390	390	260	110	430
11227	Filter pump excl. pre-filter	720	-	360	160	115	115	260	110	430