

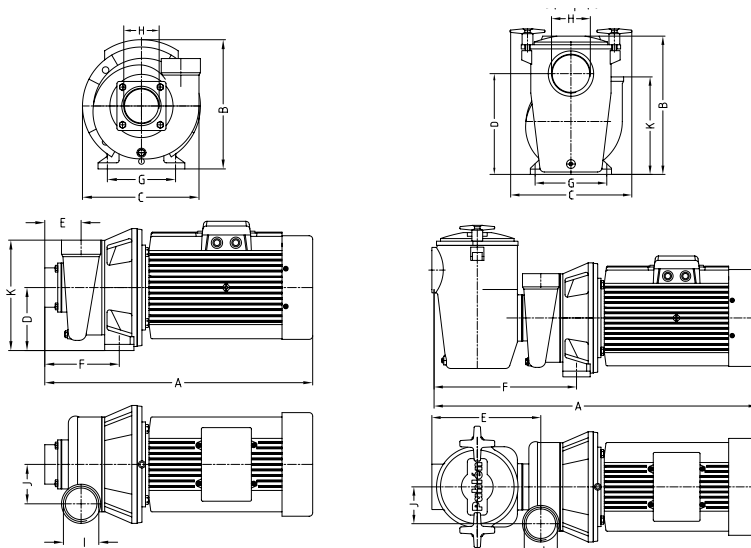
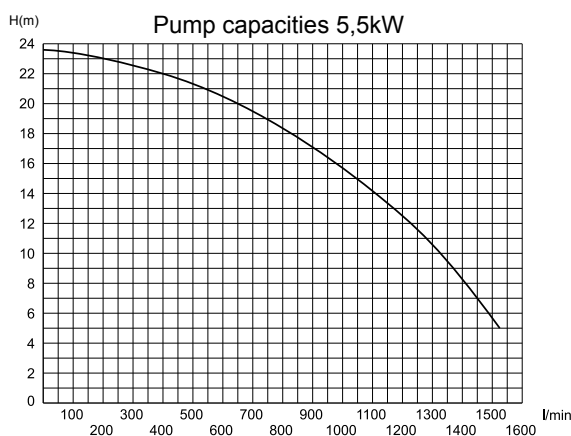
BRONZE PUMP P85



Technical data					Ampere
Item no.	kW	Hz	Phase	Voltage	400V
11223	5,5	50	3	400/690	11
11523	5,5	50	3	400/690	11



- **Pump housing and pump impeller made of bronze** - For optimum quality and life.
- **Pump shaft made of stainless acid-resistant stainless steel** - For increased corrosion protection.
- **High-quality motors** - For cost-effective operation and long life.
- **Pre-filter made of bronze with filter basket of composite material** - Easy access for cleaning of the filter basket.
- **Equipped with drainage plug** - For easy draining of water, for instance at the end of the season.
- **Two versions, with and without pre-filter** - Suits all installations.
- **Tested and certified by a Notified Body** - Important for product safety.



Dimensions

Item no.	Type	A	B	C	D	E	F	G	H	I	J	K
11223	Filter pump	815	330	275	250	240	315	140	3"	2½"	82	235
11523	Filter pump excl. pre-filter	640	275	275	137	77	155	140	2½"	2½"	82	235