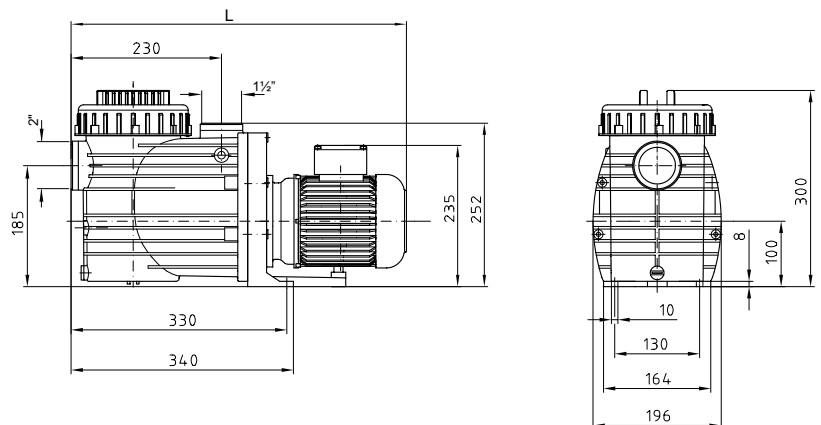
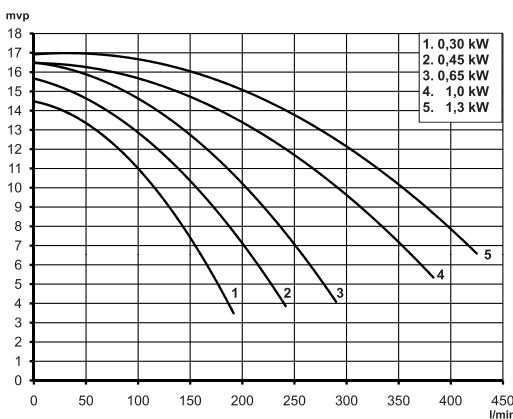


BADU Top is a very reliable pump with high performance intended for circulation of pool water together with a pool filter. The parts that are in contact with the pump media are mainly made of polypropylene and they have an excellent resistance against the most common chemicals for treatment of pool water.

The motor shaft also works as a pump shaft, where the impeller is mounted. The shaft seal is a mechanical seal of bellow type, that is mounted on an impeller hub made of plastic. This results in a safe separation between the pool water and the electric motor. The construction makes the pump suitable for use in pool water with a salt content of up to 0,5%. The pump is built in blocks and takes up small space. There is an integrated filter basket in the pump housing.



- **The impeller is mounted straight on to the pump shaft** - Safe separation between the pool water and the electric motor.
- **High quality material** - Good operating economy and a long life.
- **Equipped with drain plug** - Easy to drain water for the winter.
- **Integrated pump base** - Easier installation.



Technical data BADU Top

Item no.	Type	kW	Hz	Phase	Voltage	Ampere	rpm	Connection (mm)	Weight kg
115600	BaduTop8	0,3	50 / 60	3	400 / 230	1,00 / 1,75	2820	50 / 50	9
115605	BaduTop8	0,3	50 / 60	1	230	2,60	2820	50 / 50	9
115610	BaduTop12	0,45	50 / 60	3	400 / 230	1,25 / 2,15	2820	50 / 50	9
115615	BaduTop12	0,45	50 / 60	1	230	3,20	2820	50 / 50	9
115620	BaduTop14	0,65	50 / 60	3	400 / 230	1,75 / 3,00	2820	63 / 50	11,3
115625	BaduTop14	0,65	50 / 60	1	230	4,70	2820	63 / 50	11,3
115630	BaduTop20	1,0	50 / 60	3	400 / 230	2,50 / 4,30	2820	63 / 50	15,3
115635	BaduTop25	1,3	50 / 60	3	400 / 230	3,00 / 5,20	2820	63 / 50	15,3