



BADU Eco Touch

The high-capacity, self-priming pump BADU Eco Touch considerably reduces the operating cost and CO₂ emission compared to conventional pumps with induction motor.

- Self-priming
- Three preset operating speeds
- Electronic control system
- Lower operating cost
- Reduced CO₂ emission
- Energy saving
- Patented permanent magnet motor
- For pools with a water volume of about 30-70m³



The high-capacity, self-priming pump BADU Eco Touch considerably reduces the operating cost and CO₂ emission compared to conventional pumps with induction motor. It is made of corrosion resistant polypropylene. The parts that are in contact with water are made of acid-proof stainless steel AISI 316L.

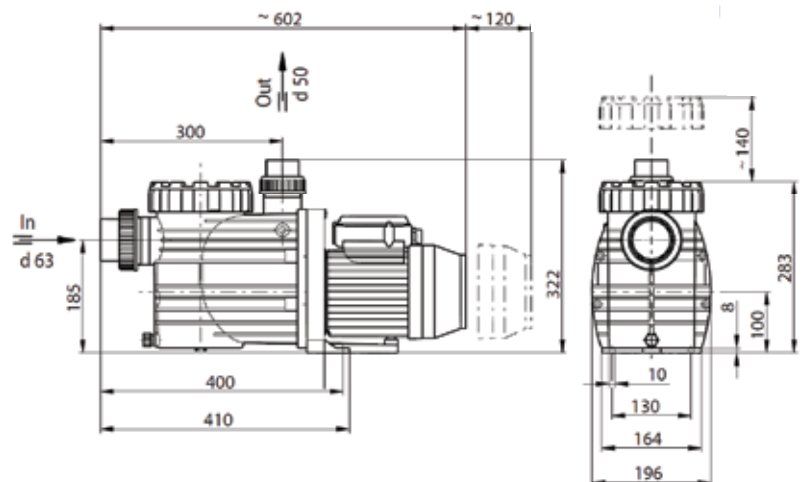
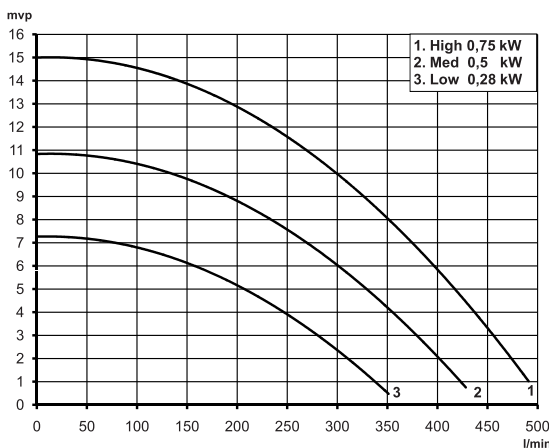
The patented permanent magnet motor (EC motor) is ideal for use to filters for pools with a water volume of about 30 - 70 m³.

Either it is used at low speed (night mode), moderate speed (normal filter mode) or high speed (backwash mode), the current electronic control system has three preset modes for efficient and ecofriendly pump function. The different modes are easy to set with the three buttons on the control panel.

A slower filtration reduces the energy consumption and results in a better water quality. It also protects the filter media and reduces the backwash time at a high speed. Thanks to the three modes the need for operation at maximum speed for long periods is avoided. This saves energy and results in an improved service life for the filter unit.



- **Self-priming induction motor** - Reduces considerably the operation cost and the CO₂ emission.
- **Patented permanent magnet motor** - Ideal for use to filters for pools with a water volume of about 30-70 m³.
- **Three different preset modes** - Results in an efficient and ecofriendly pump function (night, normal or backwash mode).
- **Slower filtration** - Reduces energy consumption and results in an improved water quality.
- **Electronic control system** - The different modes are easy to choose with the three buttons on the control panel.



Technical data BADU Eco Touch

Item no.	kW	Hz	Phase	Voltage	Ampere	rpm	Connection (mm)	Weight kg
115650	0,28 / 0,50 / 0,75	50 / 60	1	230	2,80 / 4,80 / 7,20	2000 / 2430 / 2830	63 / 50	9