

PLATE HEAT EXCHANGER



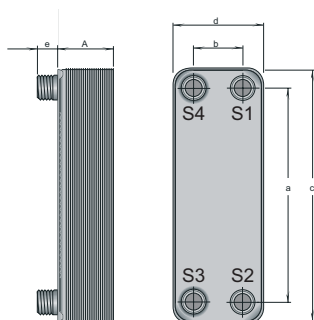
Item no. 113510
CB14-20H



Item no. 113521
CB27-24M



- **Profiled metal plates made of acid-proof stainless steel placed close to one another** - High efficiency rating and effective heat transfer.
- **The closely-packed metal plates form thin channels** - Creates a small and compact heat exchanger.
- **The heat exchanger has no seals** - Suitable for processes with high and low temperature/high and low pressure.
- **Sizes from 40 kW to 1000 kW** - Suits all installations.



Dimensions

Item no.	Model	a	b	c	d	e	A
113510	CB14-20H	172	42	208	78	24	55
113512	CB14-40H	172	42	208	78	24	102
113521	CB27-24M	250	50	310	112	45	67
113522	CB27-50M	250	50	310	112	45	129
113573	CB76-30L	519	92	618	191	48	96
113574	CB76-40L	519	92	618	191	48	124

Technical data

Item no.	Model	Capacity		Primary side, hot water		Secondary, cold water		Max pressure bar		Connection	
		kW	kBtu/h	l/min	press. drop H(m)	l/min	press. drop H(m)	Primary	Secondary	Primary S3, S4	Secondary S1, S2
113510	CB14-20H	40	135	16	0,7	23	1,6	32	32	3/4"	3/4"
113512	CB14-40H	75	260	30	0,8	43	1,4	32	32	3/4"	3/4"
113521	CB27-24M	100	340	41	0,8	57	1,3	32	32	1"	1 1/4"
113522	CB27-50M	200	680	85	0,8	115	1,7	32	32	1"	1 1/4"
113573	CB76-30L	350	1195	168	0,9	228	1,5	25	25	2"	2"
113574	CB76-40L	450	1535	185	0,6	380	2,6	25	25	2"	2"

Capacity at 60° temperature difference