

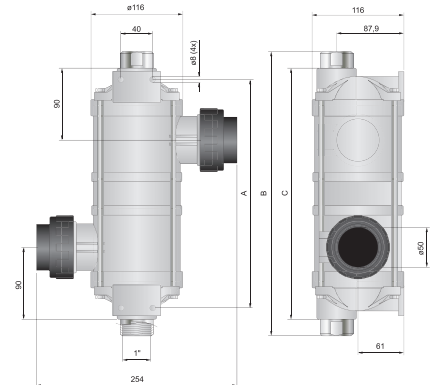
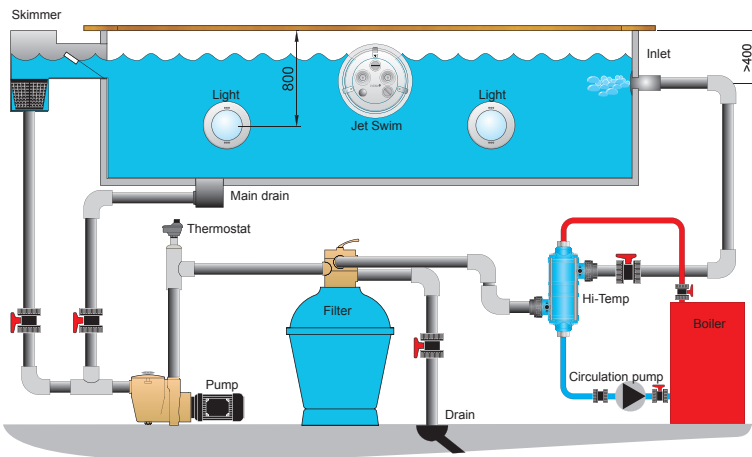
HI-TEMP TITANIUM



Item no. 11324 HTT 75 - 75kW



- **Outer jacket of thermoplastic** - High quality and long service life.
- **Hot water coil made of titanium** - For the most demanding installations where there is a risk of corrosion.
- **Integrated wall-mounting** - For simpler installation.
- **Slip connections for bonding of Ø50 mm pipes** - For simple pipe installation.
- **Two sizes 40 and 75 kW** - For swimming pools of up to 300 m³.
- **Connects to boiler, heat pump, solar panel system or other heat source** - Suits all installations.



Dimensions

Item no.	A	B	C
11322	417	375	335
11324	667	625	585

The maximum pressure for the secondary circuit (pool water) is 4 bar and for the primary circuit (hot water) 5 bar.

Technical data

Item no.	Model	Capacity		Primary, hot water		Secondary, pool water	
		kW	kBtu/h	l/min	press. drop H(m)	l/min	press. drop H(m)
11322	HTT 40	40	135	52	1,7	300	0,8
11324	HTT 75	75	260	58	2,8	300	1,4

Capacity at 60° temperature difference