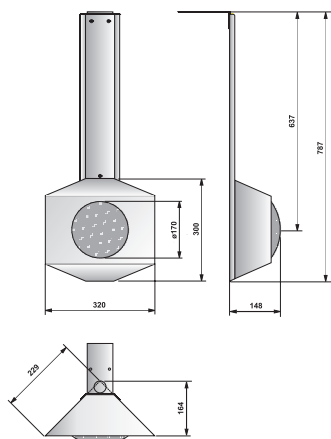


CORNER LIGHT 300W



Item no. 12280



- **Polished front** - For optimum finish.
- **Made of AISI 316L acid-resistant stainless steel** - For optimum quality and life.
- **Bulbs PAR 56 300W, type Sealbeam, glass and reflector in one unit** - No loose parts, easy to replace.
- **Supplied as standard with a 2.5 m long 2-wire connecting cable** - The water level does not need to be lowered when replacing bulbs.
- **Can be fitted in either a new or existing pool made of concrete, liner or building-block walls** - Suits all types of pools.
- **Suitable for existing pools** - No holes are to be made in the pool.
- **Tested and certified by a Notified Body** - Important for product safety.

Recommended lighting:

300W For outdoor pools - 1 light unit per 25 m², indoor pools - 1 light unit per 15 m².

Corner light 304, 300W, 12V, IP68

Item no.

12280 Suspended light 300W, 12V, IP68 for mounting in the pool corner. Delivered with polished attachment for mounting under the pool coping or deck.

Accessories

Cable conduit

Item no.

12330 Protects the cable between the junction box and the lamp unit, length 900 mm.

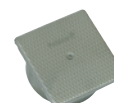
12854 Jointing sleeve internal 3/4" PVC. For extension of cable conduit.



Junction box

Item no.

12310 Cable seal in the base, with attachment for cable conduit and connection block.



Safety transformer

Item no.

12340 Transformer 300W, 12/230V, IP54 with built-in fuse.

