

Position the skimmer in the pool according to your pool supplier's instructions.

The skimmer is normally located at one of the short sides and the inlet nozzles at the opposite end. Please see also "Skimmer for liner pools".

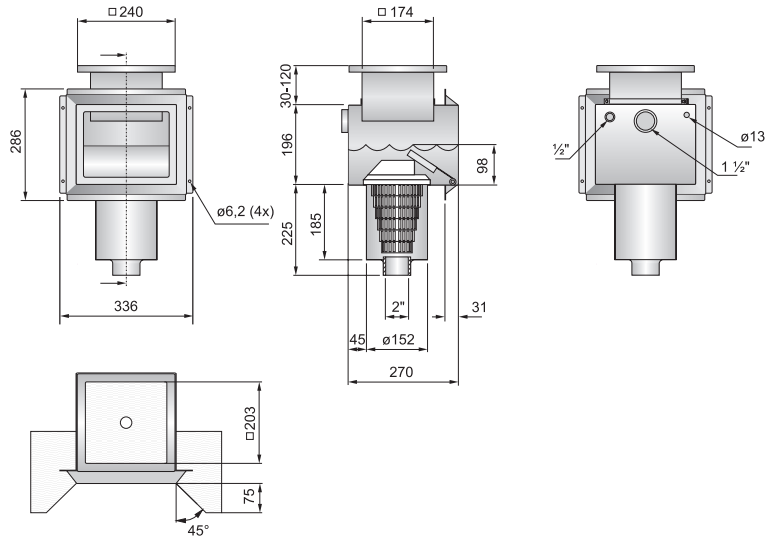
1. Before casting mask the skimmer's opening to avoid any concrete splashes. A casting attachment (item no. 112900) is available as an accessory. This stabilizes the position of the skimmer in the concrete.
2. Connect the pipe connection using a suitable thread seal.
3. Fit the skimmer to the moulding using the attachment clamps on the flange. The skimmer's sealing flange shall be at the centre of the moulding and the water surface shall be at the centre of the opening. The pool wall is then chamfered at 45° to the skimmer. (See sketch)
4. The collar is adapted to the floor covering around the pool and is secured with the adhesive strip supplied.
5. Fit the inlet gate in the skimmer after casting.

Follow the instructions below regarding water quality:

Chlorine content: max. 3 mg/l
 Chloride (salt) content: max. 250 mg/l
 pH value: 7,2-7,8
 Alkalinity: 60-120 mg/l (ppm)
 Calcium hardness: 200-1000 mg/l (ppm)

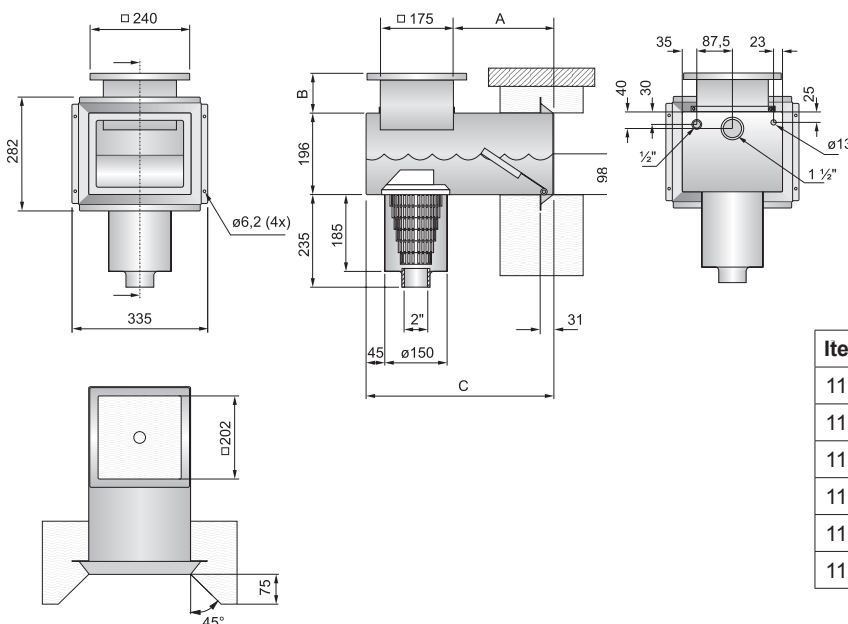
Item no

- 112972** Skimmer with short neck
112979 Skimmer with short neck, with openings for water filling, overflow and cable bushing for water level control



Item no

- 112982** Skimmer with standard neck
112989 Skimmer with standard neck, with openings for water filling, overflow and cable bushing for water level control
112992 Skimmer with extended neck
112999 Skimmer with extended neck, with openings for water filling, overflow and cable bushing for water level control



Item no.	A	B	C
112992	440	30-120	650
112999	440	30-120	650
112982	240	30-120	450
112989	240	30-120	450
112972	60	30-120	270
112979	60	30-120	270

Position the skimmer in the pool according to your pool supplier's instructions.

The skimmer is normally located at one of the short sides and the inlet nozzles at the opposite end. Please see also "Skimmer for concrete pools".

1. Connect the pipe connection using a suitable thread seal.
2. Fit the skimmer to the frame using the attachment clamps in the flange. The water surface shall be in the centre of the opening and the flange shall lie tight against the finished pool wall. (See sketch)
3. Fit the inlet gate in the skimmer.
4. Install the pool liner and fill the pool with water.
5. Install the front frame and seal when the water has reached 5 cm below the skimmer.
6. Trim the pool liner along the inside of the front frame and continue to fill with water to the centre of the skimmer's opening. Pack with sand around and under the skimmer to avoid settling. An alternative is to fix the skimmer with e.g. pressure impregnated studs in the pool frame.
7. The collar is adapted to the floor covering around the pool and is secured with the adhesive strip supplied.

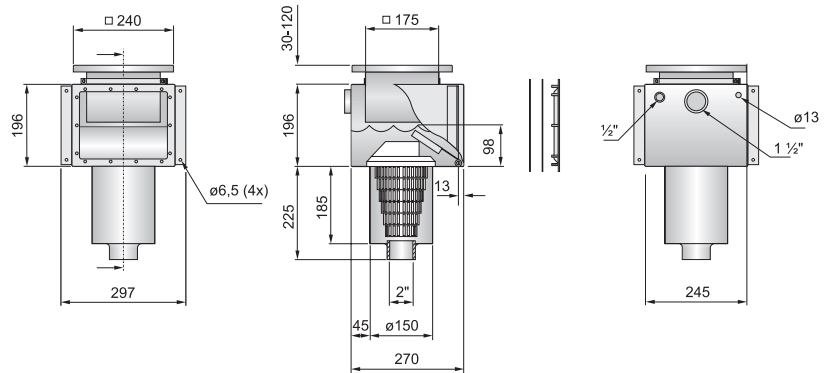
Follow the instructions below regarding water quality:

Chlorine content: max 3 mg/l
 Chloride (salt) content: max 250 mg/l
 pH value: 7,2-7,8
 Alkalinity: 60-120 mg/l (ppm)
 Calcium hardness: 200-1000 mg/l (ppm)

Item no

112971 Skimmer with short neck

112978 Skimmer with short neck, with openings for water filling, overflow and cable bushing for water level control



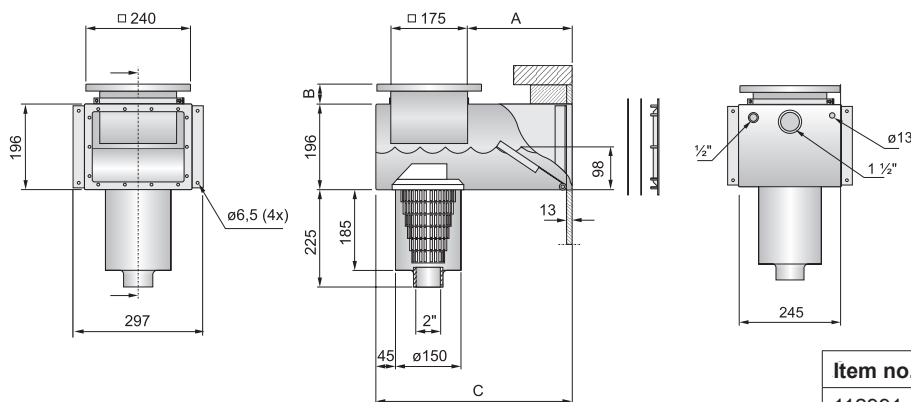
Item no

112981 Skimmer with standard neck

112988 Skimmer with standard neck but with openings for water filling, overflow and cable bushing for water level control

112991 Skimmer with extended neck

112998 Skimmer with extended neck but with openings for water filling, overflow and cable bushing for water level control



Item no.	A	B	C
112991	440	30-120	650
112998	440	30-120	650
112981	240	30-120	450
112988	240	30-120	450
112971	60	30-120	270
112978	60	30-120	270