

The pool light shall be connected through an isolation transformer 12V 50W.

**N.B. The light must be completely covered with water before lighting.**

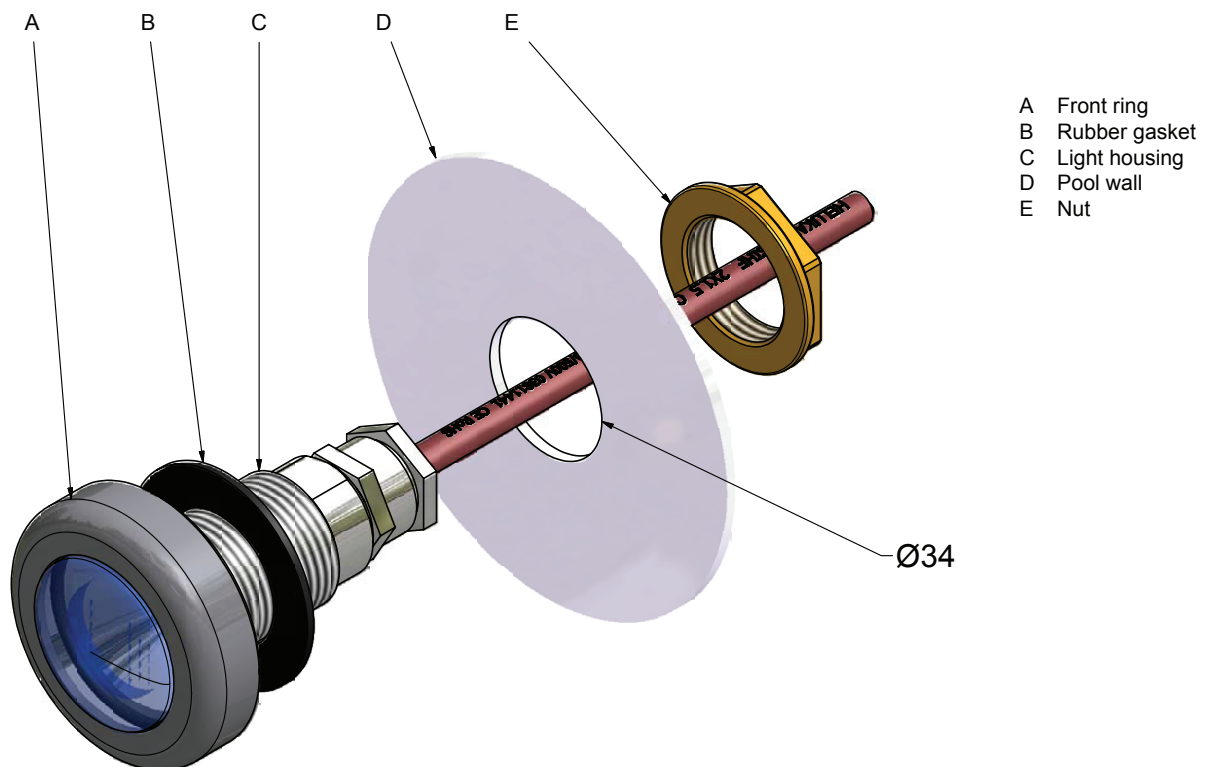
Follow the instructions stated below:

Chlorine content: max 3 mg/l (ppm)  
Chloride content: max 150 mg /l  
pH-value: 7,2 - 7,8  
Alkalinity: 60-120 mg/l (ppm)  
Calcium hardness: 200-1000 mg/l (ppm)

**Item no. 12265 Spa light 50W 12V IP68**

**Mounting in spa pool, in-wall steps for pool**

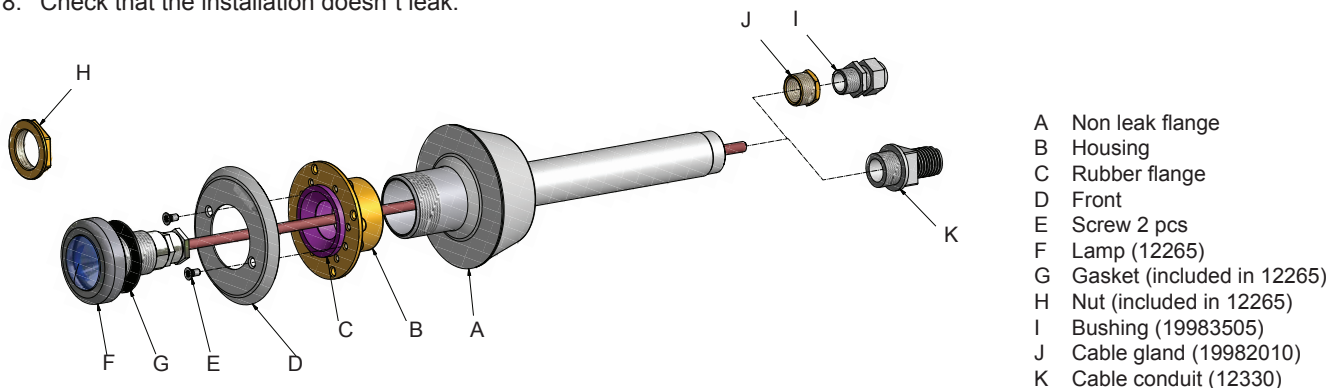
1. Drill a hole with a diameter of 34 mm in the pool wall.
2. Install the light with the rubber gasket (B) between the light housing (C) and the pool wall.
3. Tighten the nut (E) against the back of the pool wall. If necessary, hold against the flat rear part of the light housing with a tool, so that the housing is not dislocated when the nut is tightened.
4. Connect the pool light through an isolation transformer 12V 50W.
5. Before the pool is filled with water, tighten the front ring (A) against the light housing by hand.
6. The bulb can be disassembled both from the front and the rear of the pool.



## Item no 12631 Non leak flange for concrete pool

### Mounting in concrete pool:

1. Mount the bronze housing (B) on the non leak flange (A). Use appropriate thread sealing.
2. Fix the non leak flange/housing in the framework. The flange of the bronze housing shall be placed in line with the finished pool wall lining.
3. Cast.
4. Remove the nut (H) and gasket (G) from the light housing. They are of no use here.
5. Press the purple rubber flange (C) into the bronze housing.
6. Insert the cable into the non leak flange. Leave enough cable to enable future change of the bulb above the water surface - max 1,5m cable can be stored in the non leak flange.
7. Mount a cable conduit (K) or a bushing (I) with cable gland (J) in the back of the non leak flange.
8. Check that the installation doesn't leak.



- A Non leak flange
- B Housing
- C Rubber flange
- D Front
- E Screw 2 pcs
- F Lamp (12265)
- G Gasket (included in 12265)
- H Nut (included in 12265)
- I Bushing (19983505)
- J Cable gland (19982010)
- K Cable conduit (12330)

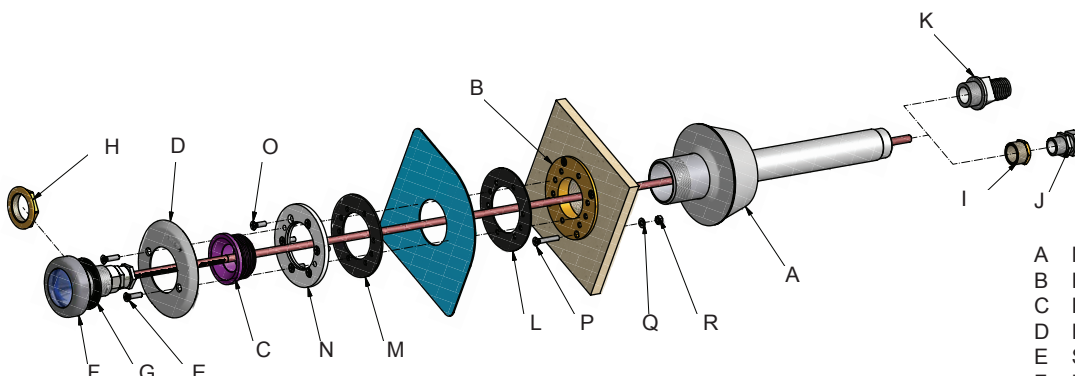
## Item no. 12632 non leak flange for pool with liner

### Mounting in pool with framework of wood, steel plate, plastic etc.:

1. Drill holes in the frame for the bronze housing (B), see pattern.
2. Mount the bronze housing (B) into the framework from the inside of the pool with through screw (P), lock with washer (Q) and nut (R) from the other side of the framework.
3. Mount the non leak flange (A) into the housing. Use appropriate thread sealing.

### Mounting in pool with framework of building blocks:

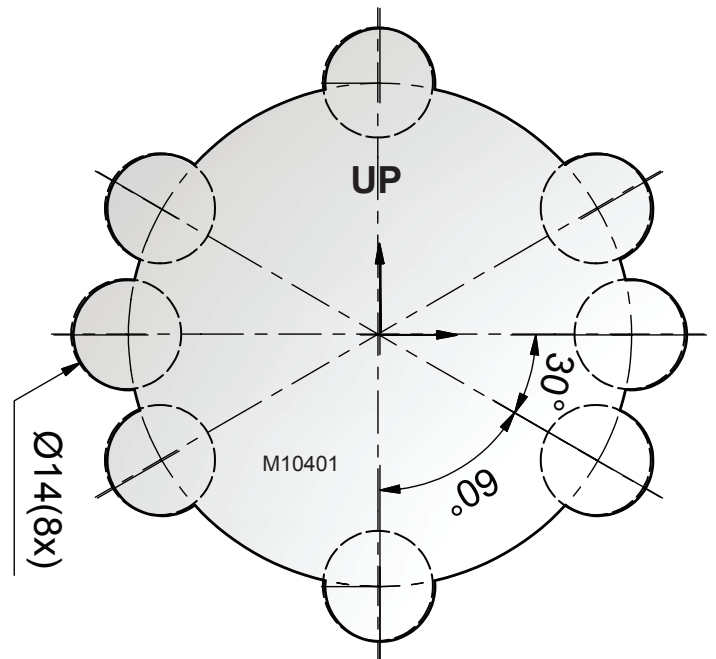
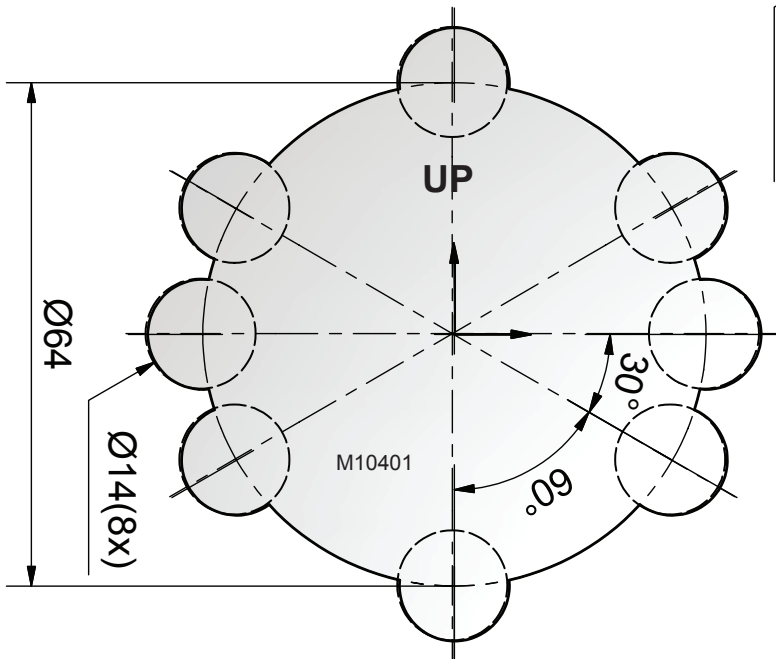
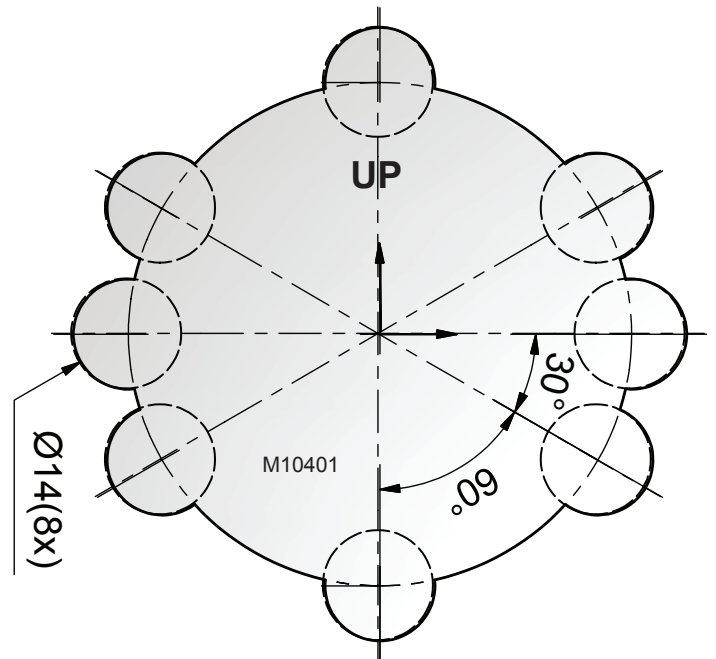
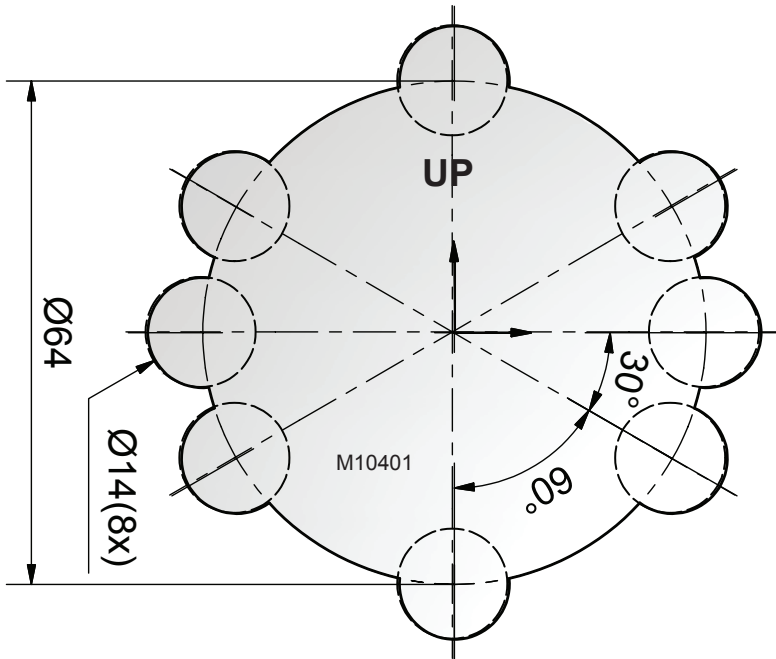
1. Mount the bronze housing (B) on the non leak flange (A). Use appropriate seal on the thread.
2. Fix the non leak flange/housing in the frame. The flange of the bronze housing shall be placed in line with the finished wall lining.
3. Cast the non leak flange/housing in the frame.



- A Non leak flange
- B Housing
- C Rubber flange
- D Front
- E Screw 2 pcs
- F Lamp (12265)
- G Gasket (included in 12265)
- H Nut (included in 12265)
- I Bushing (19983505)
- J Cable gland (19982010)
- K Cable conduit (12330)
- L Self adhesive gasket
- M Gasket
- N Seal ring
- O Screw 6 pcs
- P Screw 4 pcs
- Q Washer 4 pcs
- R Nut 4 pcs

4. Attach the self-adhesive gasket (L) on the bronze housing.
5. Put in the liner.
6. Fill the pool with water up to 5 cm under the spa light.
7. Fasten the seal ring (N), with the thicker gasket (M) placed under it, with the screws (O).
8. Cut out the liner.
9. Press the purple rubber flange (C) into the bronze housing and screw (E) the front (D).
10. Remove the nut (H) and gasket (G) from the lamp housing. They are of no use here.
11. Insert the cable into the non leak flange. Leave enough cable to enable future change of the bulb above the water surface - max 1,5m cable can be stored in the non leak flange.
12. Mount a cable conduit (K) or a bushing (I) with cable gland (J) in the back of the non leak flange.
13. Check that the installation doesn't leak.

Pattern for bronze housing, spa light with non leak flange.



ENGLISH