

Outlets

Item no. 12650, 12652

Place the outlets in the pool according to the instructions from your pool supplier.

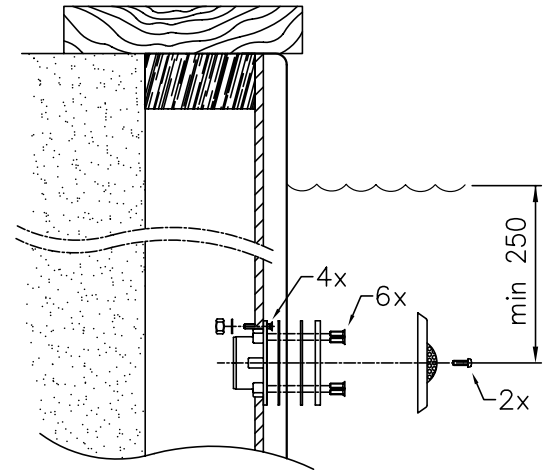
Follow the limit values for the water that are:

Chlorine content:	max 3 mg/l
Chloride content:	max 250 mg/l
pH-value:	7,2 - 7,8
Alkalinity:	60-120 mg/l (ppm)
Calcium hardness:	200-100 mg/l (ppm)

Item No. 12652

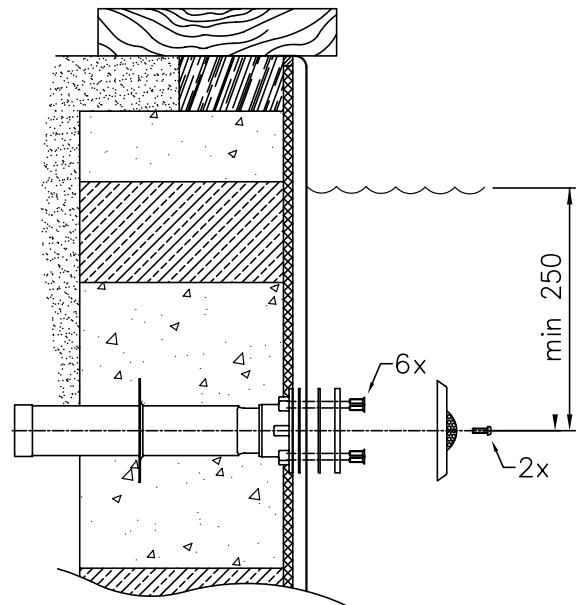
for pool walls made of wood, sheet, plastic etc.

1. Cut out a hole in the framework according to the pattern.
2. Install the bronze part with the enclosed screws from the inside of the pool, (see sketch).
3. Fix the self-adhesive packing on the bronze part.
4. Put in the liner.
5. Fill the pool with water. When the water is 5 cm below the outlet, install the second packing and the sealing ring.
6. Cut out the liner.
7. Mount the front.



for pool walls made of building blocks

1. Mount the inlet nozzle on the non leak flange (item No. 12670). Use suitable thread sealing.
2. Fix the non leak flange and the outlet nozzle and cast into the pool wall. The flange on the outlet nozzle shall be in line with the finished pool wall, (see sketch).
3. Fix the self-adhesive packing on the bronze part.
4. Put in the liner.
5. Fill the pool with water. When the water is 5 cm below the outlet, install the packing and the sealing ring.
6. Cut out the liner.
7. Mount the front.



Item No. 12650

for pool walls made of concrete

1. Fix the non leak flange (item No. 12640) in the mould and cast in line with the finished concrete wall, (see sketch).
2. Mount the wall facing.
3. Install the outlet nozzle and front according to sketch.

