

Outlet connection for vacuum hose Item no. 12673

Place the outlet connection in the pool according to the instructions from your pool supplier.

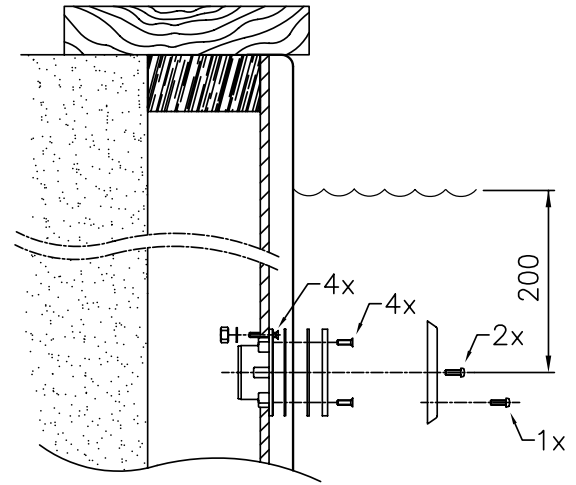
Between the outlet connection and the suction line of the pump a valve shall be installed. This valve must always be closed when no vacuum cleaning is done.

Follow the limit values for the water that are:

Chlorine content:	max 3 mg/l
Chloride content:	max 250 mg/l
pH-value:	7,2 - 7,8
Alkalinity:	60-120 mg/l (ppm)
Calcium hardness:	200-1000 mg/l (ppm)

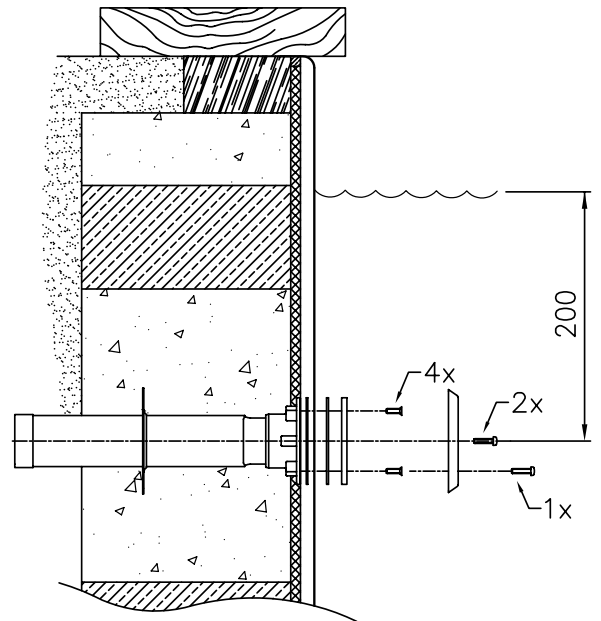
for pool walls made of wood, sheet, plastic etc.

1. Cut out a hole in the framework according to the pattern.
2. Install the bronze part with the enclosed screws from the inside of the pool, (see sketch).
3. Fix the self-adhesive packing on the bronze part.
4. Put in the liner.
5. Fill the pool with water. When the water is 5cm below the outlet, install the second packing and the sealing ring.
6. Cut out the liner.
7. Mount the front.
8. The front ring plate is locked in closed position with a screw.



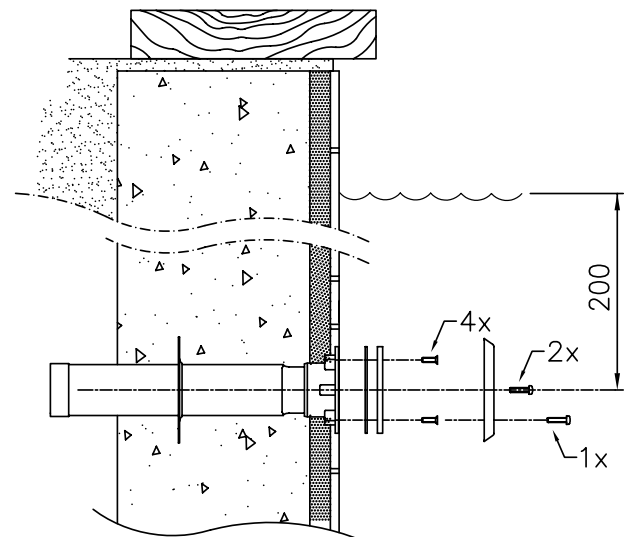
for pool walls made of building blocks

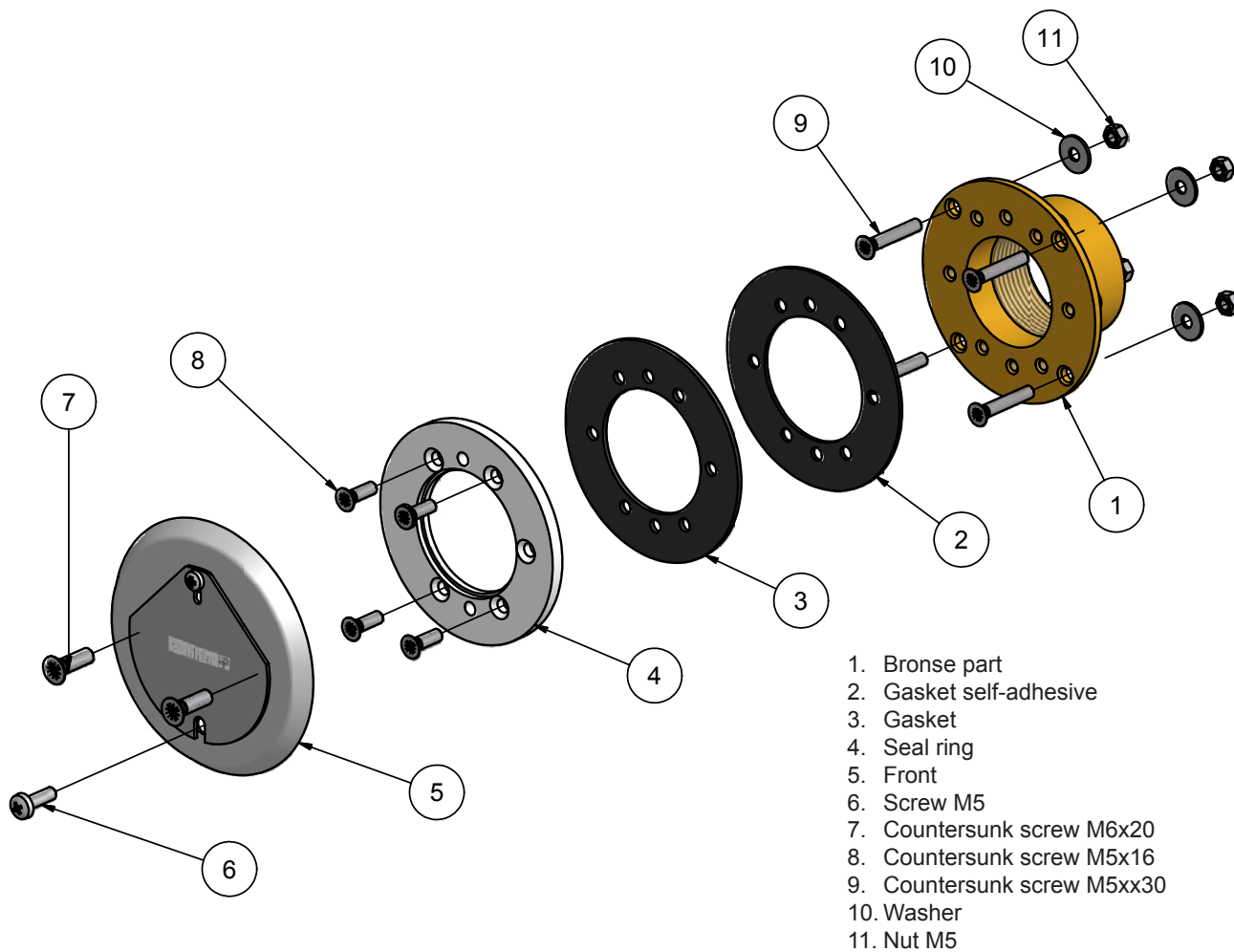
1. Mount the bronze part on the non leak flange (item No. 12670). Use suitable thread sealing.
2. Fix the non leak flange and the bronze part and cast into the pool wall. The flange on the bronze part shall be in line with the finished pool wall, (see sketch).
3. Fix the self-adhesive packing on the bronze part.
4. Put in the liner.
5. Fill the pool with water. When the water is 5cm below the outlet, install the second packing and the sealing ring.
6. Cut out the liner.
7. Mount the front.
8. The front ring plate is locked in closed position with a screw.



for pool walls made of concrete

1. Mount the bronze part on the non leak flange (item No. 12670). Use suitable thread sealing.
2. Fix the non leak flange in the mould and cast in line with the finished pool wall, with regard to a wall facing, if any (see sketch).
3. Mount the wall facing and install the packing, sealing ring and front.
4. The front ring plate is locked in closed position with a screw.





1. Bronze part
2. Gasket self-adhesive
3. Gasket
4. Seal ring
5. Front
6. Screw M5
7. Countersunk screw M6x20
8. Countersunk screw M5x16
9. Countersunk screw M5x30
10. Washer
11. Nut M5

Bore hole template

