

Inlets
Item no. 125990, 126090

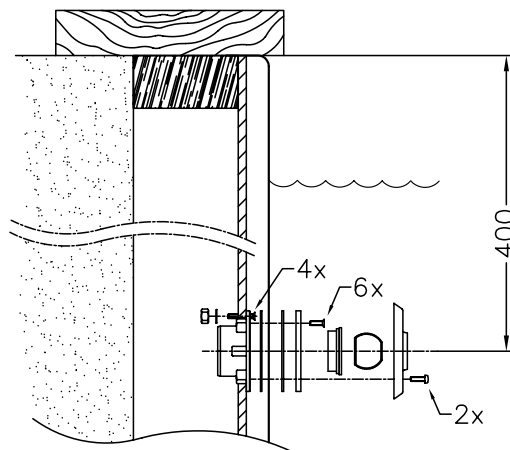
Place the inlets in the pool according to the instructions from your pool supplier.

Follow the limit values for the water that are:

Chlorine content:	max 3 mg/l
Chloride (salt) content:	max 250 mg/l
pH-value:	7,2 - 7,8
Alkalinity:	60-120 mg/l (ppm)
Calcium hardness:	200-1000 mg/l (ppm)

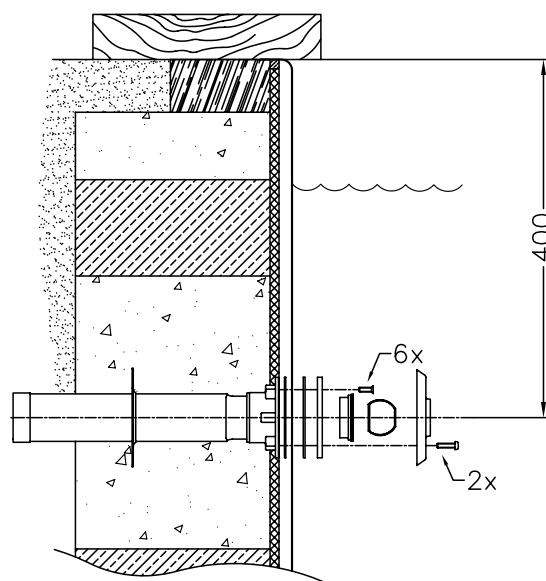
Item no. 125990
for pool walls made of wood, sheet, plastic etc.

Cut out a hole in the framework according to the pattern and install the bronze part with the enclosed screws from the inside of the pool, (see sketch).
 Fix the self-adhesive packing on the bronze part.
 Put in the liner and fill water. When the water is 5cm below the inlet, install the packing, sealing ring, flange, jet insert (with the Ø20mm opening towards the pool) and front according to sketch.



for pool walls made of building blocks

Mount the inlet nozzle on the non leak flange (item No. 12670).
 Use suitable thread sealing.
 Fix the non leak flange and the inlet nozzle and cast into the pool wall. The flange on the inlet nozzle shall be in line with the finished pool wall, (see sketch).
 Fix the self-adhesive packing on the bronze part.
 Put in the liner and fill water. When the water is 5cm below the inlet, install the packing, sealing ring, flange, jet insert (with the Ø20mm opening towards the pool) and front according to sketch.



Item no. 126090
for pool walls made of concrete

Fix the non leak flange (item No. 12640) in the mould and cast in line with the finished concrete wall, (see sketch).
 Mount the wall facing and install the inlet nozzle, jet insert (with the Ø20mm opening towards the pool) and front according to sketch.

